



DROP-IN Circulator 2500 ~ 6000 MHz

ADC2560CDIH

Features

- 18dB typical Isolation, 0.7dB typical Insertion Loss at room temperature.
- Wide band characteristic.
- Robust design for shock and vibration.
- RoHS Compliant

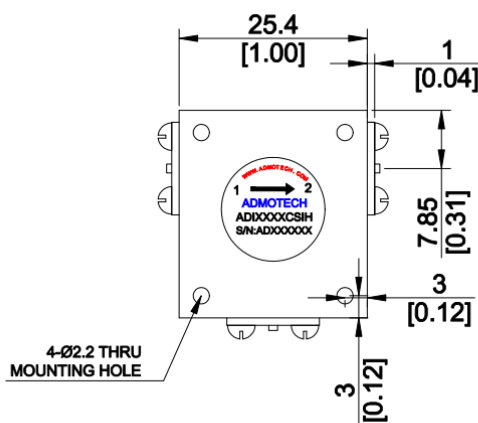
Options

- The customers can choose as follows
- Direction : Clockwise(Default) or Counter Clockwise.

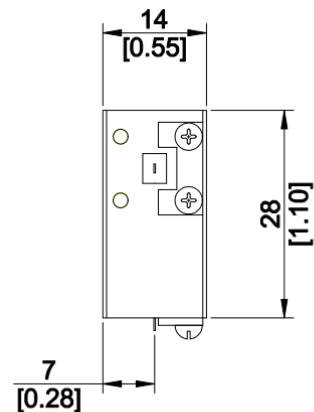
Electrical Characteristics

Parameter	Units	Specifications
Frequency	MHz	2500~6000
Insertion Loss	dB Max.	1.0dB Max @2500~3000MHz 0.8dB Max @3000~6000MHz
Isolation	dB Min.	16.0
VSWR	Max.	1.4 : 1
Operating Temperature	°C	0 ~ 70
FWD./REV. Power	W Max.	100/50
Input/Output Impedance	Ω	50

Mechanical Dimensions



TOP VIEW



SIDE VIEW



unit: mm[inch]
Tolerance: ±0.2mm

If you do not find appropriate frequency range, please contact with sales@admotech.com