



**ADMOTEC**

Advanced Mobile Technology

1320,Gwanpyoung-dong,Yoosung-Gu,Taejon,305-509, Korea  
Tel :+82-42-936-1353 Fax :+82-42-936-1350

# ADMOTEC 0.5INCH SMD CIRULATORS 3480~3600MHz

**ADS350LE(120)**

## Features

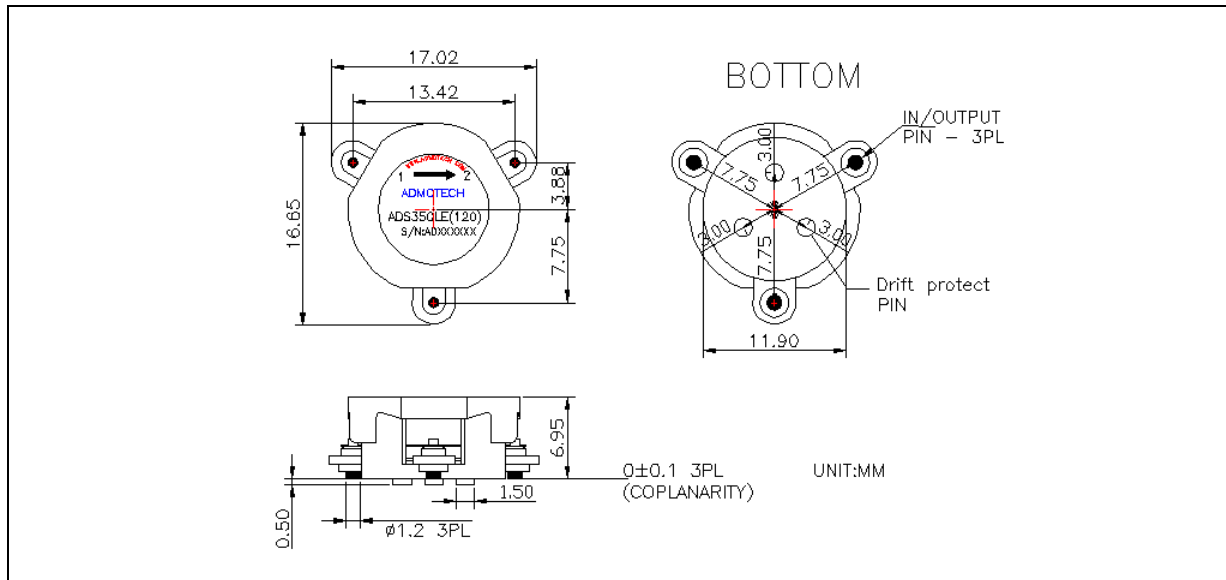
- Low Insertion Loss
- Custom Design Available
- ROHS Compliant
- High Isolation
- Standard Reflow Processing
- Lead Free



## Electrical Characteristics

Parameter	Units	Specifications
Frequency	MHz	3480 ~3600
Insertion Loss	dB Max.	0.30dB max. (Room) 0.40dB max. (Temp.)
Return Loss	dB Min.	22dB min. (Room) 17dB min. (Temp.)
Isolation	dB Min.	22dB min. (Room) 17dB min. (Temp.)
Temperature	°C	- 40 ~+125
Power FWD / REV.	W Max.	100/100
Input/Output Impedance	Ω	50
Direction		CW

## Mechanical Dimensions



If you do not find appropriate frequency range, please contact with [sales@admotech.com](mailto:sales@admotech.com)