

### Features

- 4 Bands Cavity Quadplexer.
- Very compact size and low weight. (104 x 83 x 55 mm)
- 0.35 dB typical Insertion loss @ room temp.



### Electrical Specifications

Parameter	Band 875	Band 1862	Band 2090	Band 2535	Remark
Frequency Range [MHz]	791 ~ 960	1,850 ~ 1,920	2,010 ~ 2,170	2,400 ~ 2,670	
Bandwidth [MHz]	169	115	160	270	
Insertion Loss	0.5 dB Max.				
Pass Band Ripple	0.3 dB Max.				
Return Loss	15.0 dB Min.				
Attenuation (Min.)	-	20 dB @ DC ~ 960 MHz	20 dB @ DC ~ 1,920 MHz	20 dB @ DC ~ 2,170 MHz	
	20 dB @ 1,805 ~ 2,700 MHz	20 dB @ 2,010 ~ 2,700 MHz	20 dB @ 2,400 ~ 2,700 MHz	-	
Isolation Between Filters	20 dB Min.				
Maximum Operating Power (CW)	20 W @ each input port				
Impedance	50 Ω				
Operating Temp.	-40 °C ~ + 80 °C				
RF Connector	SMA Female				

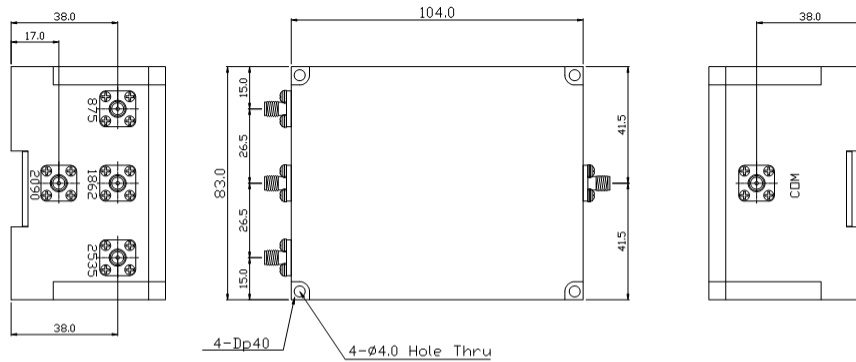
### Mechanical

Dimensions<sup>1)</sup>

104 x 83 x 55 mm

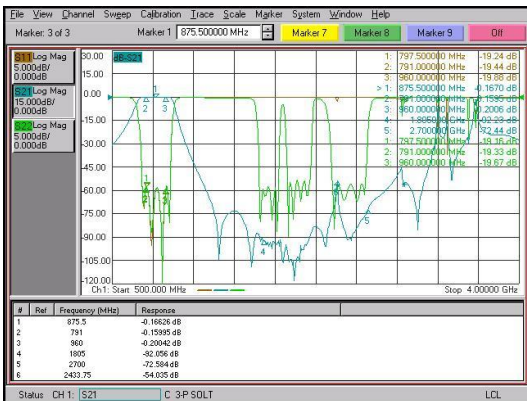
1) Excluding connectors

# Outline Drawing

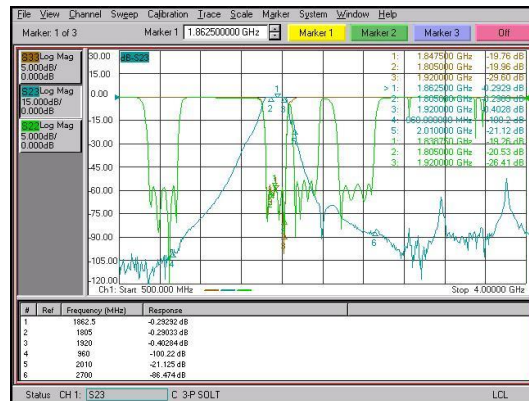


Units : mm, Tolerance : +/- 0.2 mm

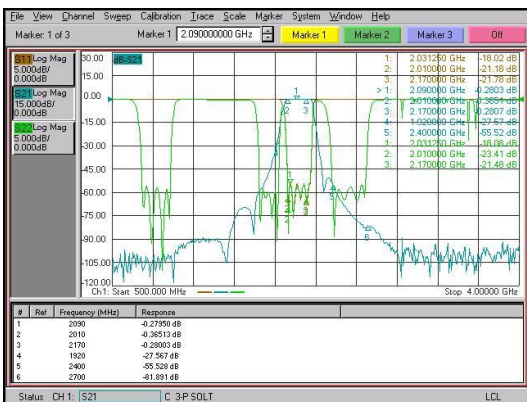
# Typical Response



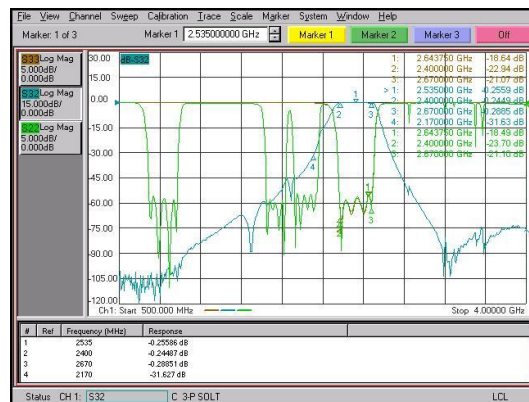
**Band 875**



**Band 1862**



**Band 2090**



**Band 2535**