

Features

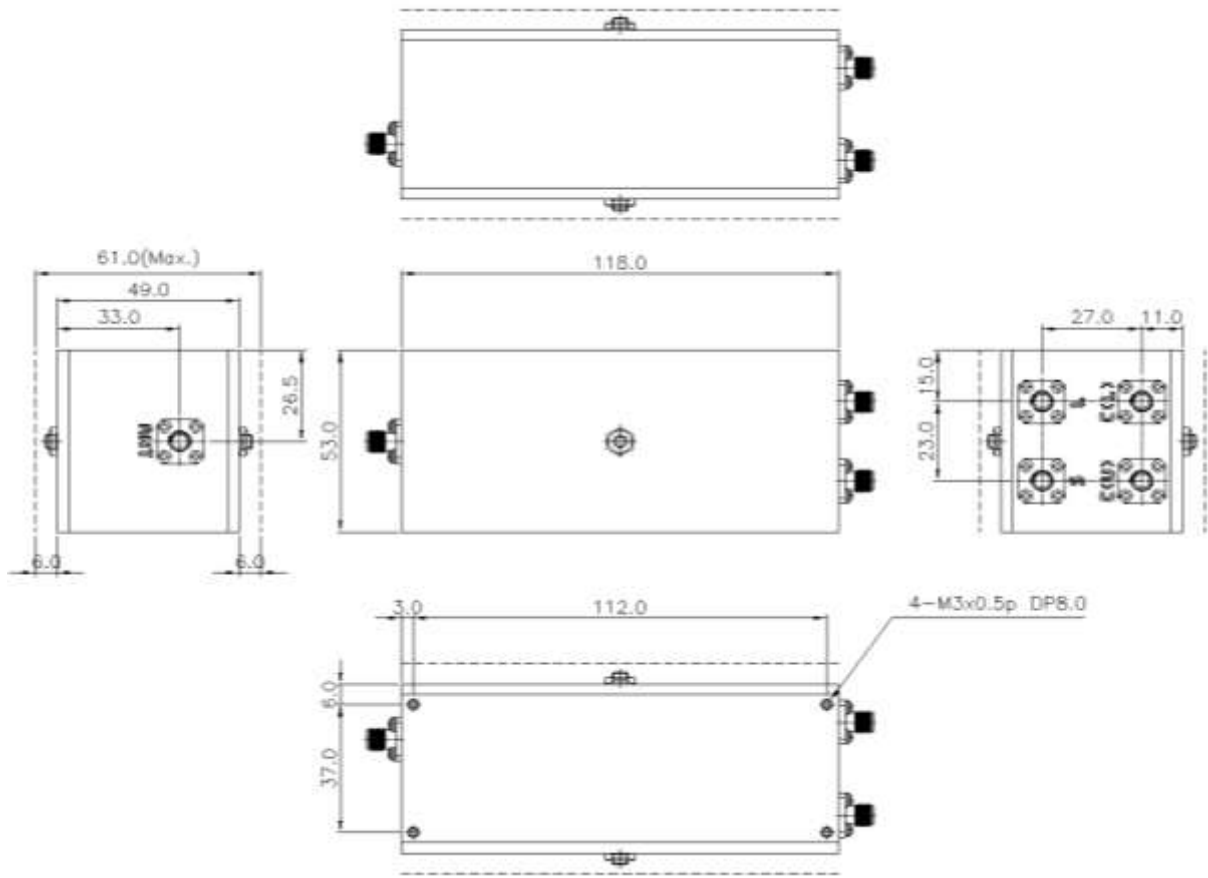
- ADQPX 1870/2350/4670/5550-A composed of Cavity Quadplexer.
- Very compact size and low weight. (118 x 53 x 61 mm)
- 0.35 dB typical Insertion loss @ room temp.



Specifications

| Parameter | | L Band | S Band | C(L) Band | C(U) Band | Remark |
|-----------------------|-----------|------------------------|---------------|---------------|---------------|--------------------|
| Frequency Range [MHz] | | 1,710 ~ 1,850 | 2,200 ~ 2,500 | 4,400 ~ 4,940 | 5,250 ~ 5,850 | |
| Bandwidth [MHz] | | 140 | 300 | 540 | 600 | |
| Insertion Loss | | 0.5 dB Max. | 0.5 dB Max. | 0.6 dB Max. | 0.7 dB Max. | |
| Pass Band Ripple | | 0.3 dB Max. | 0.3 dB Max. | 0.3 dB Max. | 0.5 dB Max. | |
| Return Loss | | 15.0 dB Min. | 15.0 dB Min. | 15.0 dB Min. | 15.0 dB Min. | |
| Attenuation (Min.) | L Band | - | 30 dB | 28 dB | 55 dB | |
| | S Band | 31 dB | - | 34 dB | 24 dB | |
| | C(L) Band | 26 dB | 32 dB | - | 31 dB | |
| | C(U) Band | 43 dB | 28 dB | 30 dB | - | |
| Input Power (CW) | | 2 W Max. | | | | |
| Impedance | | 50 Ω | | | | |
| Operating Temp. | | -30 °C ~ + 70 °C | | | | |
| RF Connector | | SMA Female | | | | |
| Dimensions | | 118.0 * 53.0 * 61.0 mm | | | | Exclude connectors |
| Weight | | 200 g Max. | | | | |

Outline Drawing

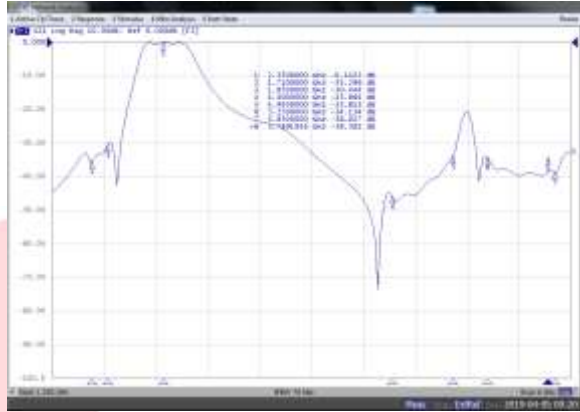


Units : mm, Tolerance : +/- 0.2 mm

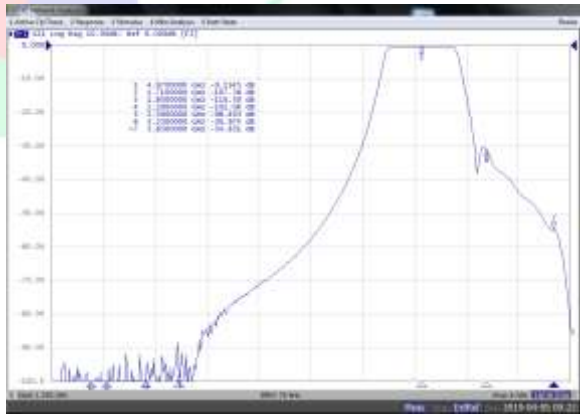
Typical Response



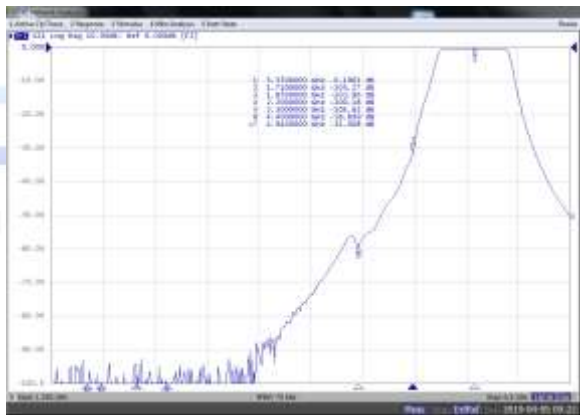
L Band



S Band



C(L) Band



C(U) Band