

Features

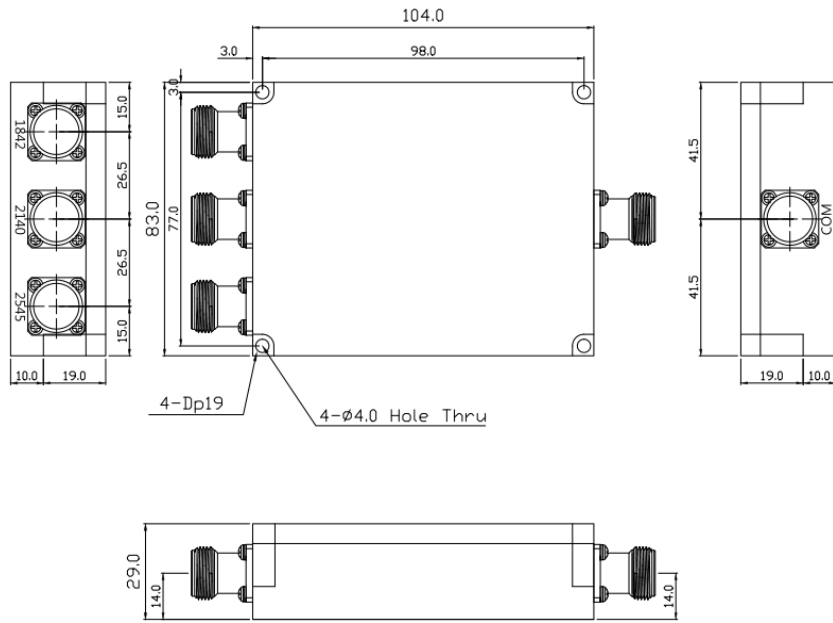
- ADTPX 1842/2140/2545-AN composed of Cavity Triplexer.
- Very compact size and low weight. (104 x 83 x 29 mm)
- 0.4 dB typical Insertion loss @ room temp.



Specifications

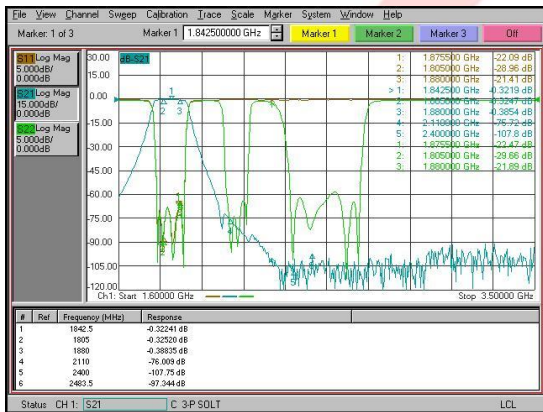
Parameter		Band 1842	Band 2140	Band 2545	Remark
Frequency Range [MHz]		1,805 ~ 1,880	2,110 ~ 2,170	2,400 ~ 2,690	
Bandwidth [MHz]		75	60	290	
Insertion Loss		0.8 dB Max.			
Pass Band Ripple		0.5 dB Max.			
Return Loss		15.0 dB Min.			
Attenuation (Min.)	1,805 ~ 1,880 MHz	-	60 dB Min.	55 dB Min.	
	2,110 ~ 2,170 MHz	60 dB Min.	-	30 dB Min.	
	2,400 ~ 2,690 MHz	60 dB Min.	60 dB Min.	-	
Handling Power (CW)		60 W Max. @ each port			
Impedance		50 Ω			
Operating Temp.		-20 °C ~ + 80 °C			
RF Connector		N Female			
Dimensions		104 * 83 * 29 mm			Exclude connectors
Weight		450 g Max.			

Outline Drawing

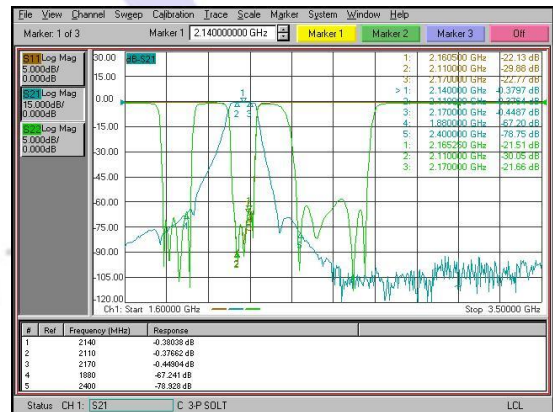


Units : mm, Tolerance : +/- 0.2 mm

Typical Response



Band 1842



Band 2140



Band 2545